

AIR CONDITIONER OPTIONAL PARTS Terminal block kit for 2-wire remote controller



PART No. 9380828167

INSTALLATION MANUAL

For authorized service personnel only.

1. SAFETY PRECAUTIONS

- Hand this manual to the customer to keep for future use, such as for relocating or repairing the product.

⚠ WARNING	Indicates a potentially or imminently hazardous situation which, if not avoided, could result in death or serious injury.
For the air conditioner to operate satisfactorily, install it as outlined in this installation manual.	
Installation work must be performed in accordance with national wiring standards by authorized personnel only.	
Do not turn on the power until all installation work is complete.	
Discharge static electricity before the installation.	

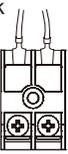
⚠ CAUTION	Indicates a potentially hazardous situation that may result in minor or moderate injury or damage to property.
Do not wire the terminal block kit wire together with or parallel to the connection cables, transmission cables, remote controller cables, bus wire, and power supply cables of the indoor and outdoor units. It may cause erroneous operation.	
Do not touch the aluminum fin in the indoor unit.	
When installing, do not cut or pinch the wires with the front panel or control cover. An electric shock may occur if wires are damaged.	

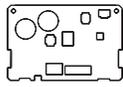
2. ABOUT THE UNIT

This option is to install a wired remote controller to the air conditioner. Before installing, please have the installation manual of the indoor unit on hand for detailed information.

2.1. Parts and accessories

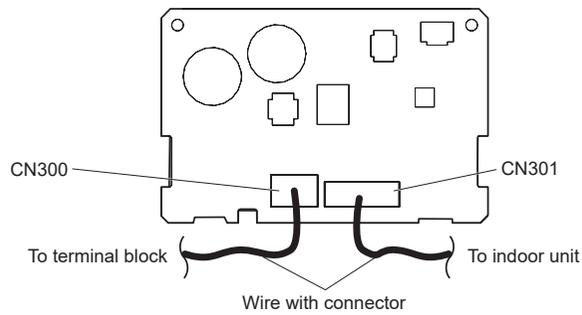
- The following installation parts are supplied. Use them as required.

Name and shape	Qty	Description
Installation manual 	1	This manual
Terminal block (with wire) 	1	For connecting the wired remote control unit to the indoor unit main PCB.
Screw (M4x20) 	1	For installing the terminal block to the indoor unit.
Wire with connector 	1	For connecting the communication PCB to the main PCB.

Name and shape	Qty	Description
Communication PCB 	1	For connecting the remote controller to the indoor unit.
EMI core 	1	Install for EMC measures.
Cable tie 	1	For fix the EMI core
Push mount cable tie 	1	For binding the wires.

2.2. Connecting the PCB

Description of Communication PCB



- Connection depends on the PCB type of the indoor unit. Refer to the installation manual of the indoor unit for details on how to connect to the indoor unit PCB.

2.3. Connecting cable to control board connector (Floor model only)

