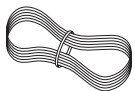

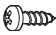




2-20. Remote sensor unit (UTY-XSZX)



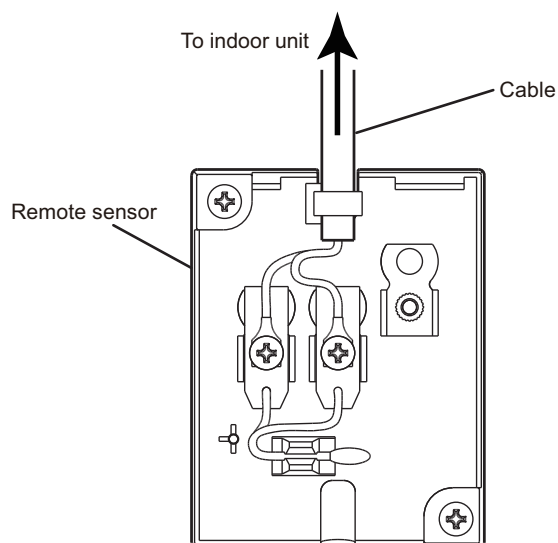
The remote sensor unit allows for flexible temperature sensing for optimum temperature control.

■ Accessory

Name and shape	Q'ty	Name and shape	Q'ty
 Cable (10 m)	1	 Installation manual	1
 Screw (M4 × 10 mm)	2	 Cord clamp	1
 Screw (M4 × 16 mm)	2		

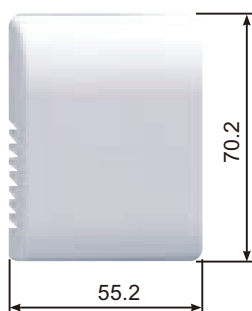
■ Electrical wiring

- Remove the screws from the remote sensor unit, and remove the cover.
- Connect the cable to the remote sensor unit as shown below.
- Ensure that the wires do not contact each other.



■ Dimensions

Unit: mm

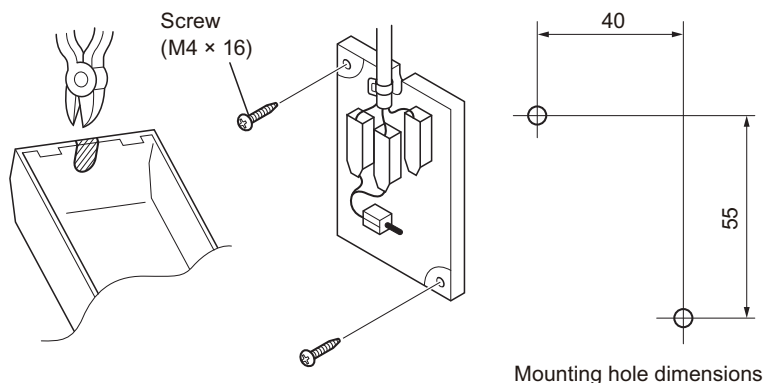


■ Installation

Unit: mm

- **When the cable is attached to the wall:**

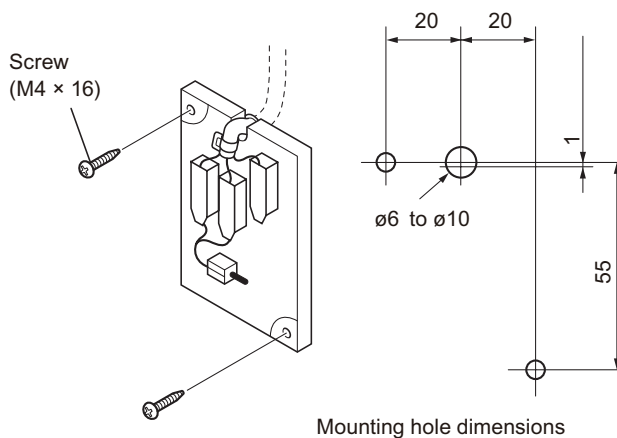
- Remove the material covering the wiring penetration (thin material) in the cover of the sensor unit with a pair of cutters. The cable passes through this hole.
- Attach the remote sensor unit on the wall using the screws.



- Fit the cover on the remote sensor unit and screw it in place.

- **When the cable is buried in the wall:**

- Remove the material (thinner than the surrounding material) in the wiring hole on the remote sensor unit using a pair of cutters.
- Drill a hole in the wall for the cable.
- Seal the area around the cable penetration with putty.



- Fit the cover on the remote sensor unit and screw it in place.

■ Specifications

Dimensions (H × W × D)	mm	70.2 × 55.2 × 18
------------------------	----	------------------