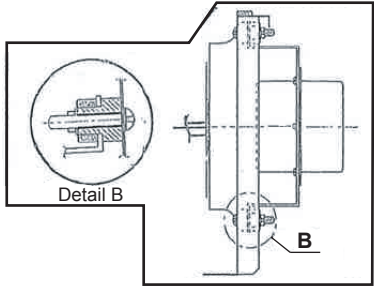
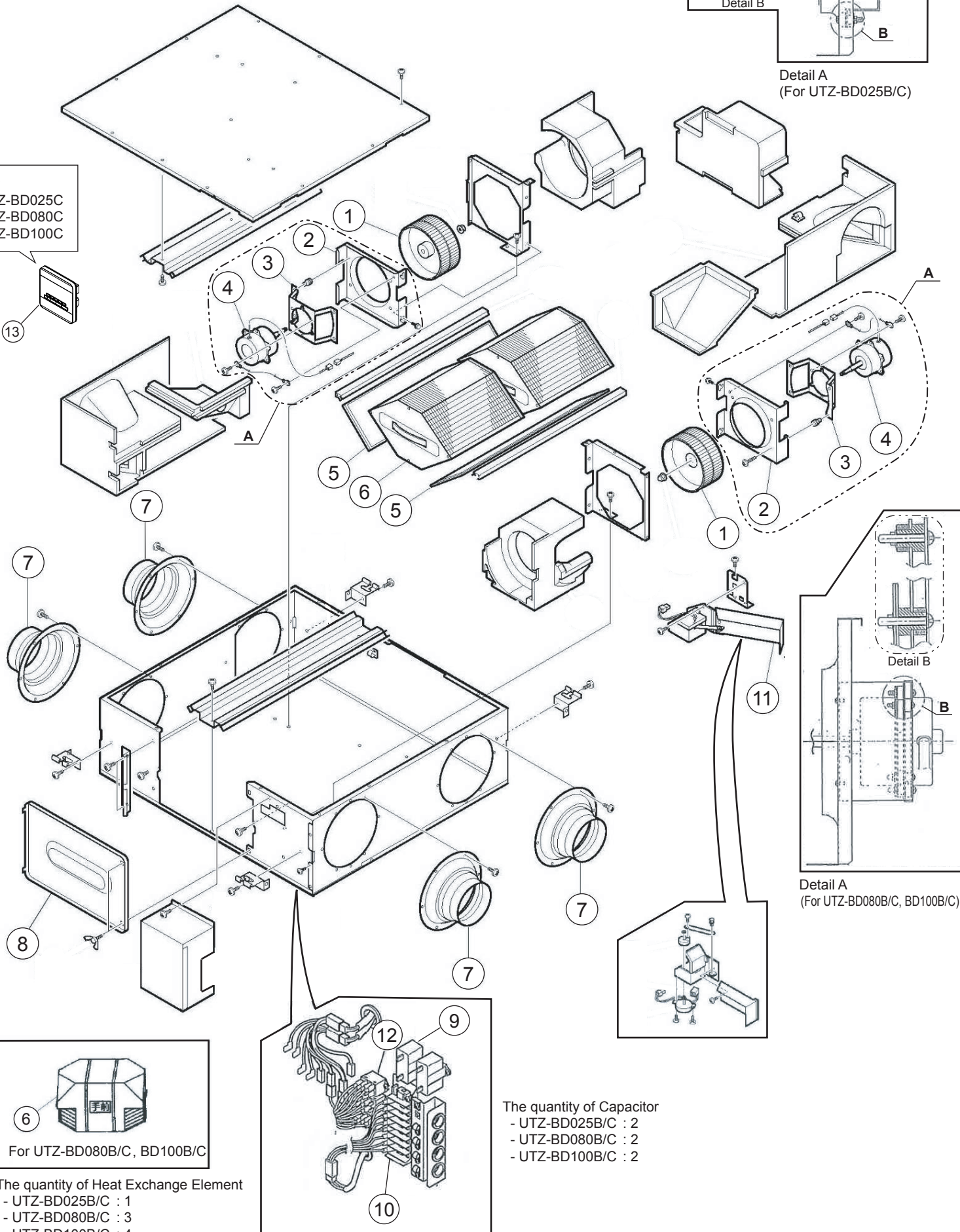
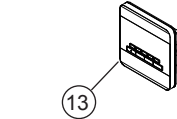


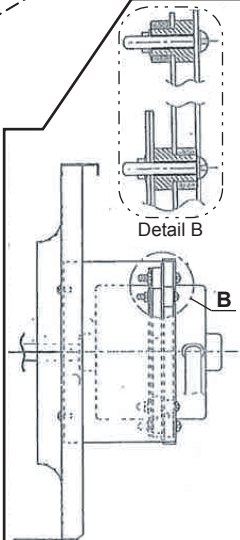
# DISASSEMBLY ILLUSTRATION

Model : UTZ-BD025B, UTZ-BD080B, UTZ-BD100B,  
UTZ-BD025C, UTZ-BD080C, UTZ-BD100C

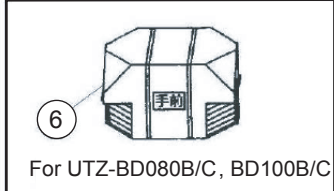
For  
UTZ-BD025C  
UTZ-BD080C  
UTZ-BD100C



Detail A  
(For UTZ-BD025B/C)



Detail A  
(For UTZ-BD080B/C, BD100B/C)



The quantity of Heat Exchange Element  
 - UTZ-BD025B/C : 1  
 - UTZ-BD080B/C : 3  
 - UTZ-BD100B/C : 4

The quantity of Capacitor  
 - UTZ-BD025B/C : 2  
 - UTZ-BD080B/C : 2  
 - UTZ-BD100B/C : 2

# PARTS LIST

| Ref No. | Description             | Parts No.  |            |            |            |            |
|---------|-------------------------|------------|------------|------------|------------|------------|
|         |                         | UTZ-BD025B | UTZ-BD035B | UTZ-BD050B | UTZ-BD080B | UTZ-BD100B |
| 1       | FAN,SIROCCO             | FFV210F309 | FFV210F307 | FFV210F307 | FFV210F311 | FFV210F311 |
| 2       | CASING PARTITION        | FFV119F299 | FFV119F300 | FFV119F300 | FFV119F301 | FFV119F301 |
| 3       | MOTOR PLATE             | FFV119F303 | FFV119F304 | FFV119F305 | FFV119F307 | FFV119F308 |
| 4       | MOTOR                   | FFV322F512 | FFV322F507 | FFV322F508 | FFV322F510 | FFV322F511 |
| 5       | FILTER                  | FFV251F226 | FFV251F227 | FFV251F228 | FFV251F229 | FFV251F230 |
| 6       | HEAT EXCHANGER          | FFV027F111 | FFV027F110 | FFV027F112 | FFV027F115 | FFV027F115 |
| 7       | ADAPTOR                 | FFV005F093 | FFV005F094 | FFV005F095 | FFV005F096 | FFV005F096 |
| 8       | LID MAINTENANCE         | FFV218F081 | FFV218F082 | FFV218F082 | FFV218F084 | FFV218F084 |
| 9       | CAPACITOR               | FFV090F222 | FFV090F223 | FFV090F224 | FFV090F225 | FFV090F225 |
| 10      | TERMINAL 8P (WIRE ASSY) | FFV099F118 | FFV099F118 | FFV099F118 | FFV099F118 | FFV099F118 |
| 11      | DAMPER ASSY             | FFV115F213 | FFV115F214 | FFV115F215 | FFV115F217 | FFV115F218 |
| 12      | RELAY                   | FFV341F006 | FFV341F006 | FFV341F006 | FFV341F006 | FFV341F006 |

| Ref No. | Description                        | Parts No.  |            |            |            |            |
|---------|------------------------------------|------------|------------|------------|------------|------------|
|         |                                    | UTZ-BD025C | UTZ-BD035C | UTZ-BD050C | UTZ-BD080C | UTZ-BD100C |
| 1       | FAN,SIROCCO                        | FFV210F309 | FFV210F307 | FFV210F307 | FFV210F311 | FFV210F311 |
| 2       | CASING PARTITION                   | FFV119F299 | FFV119F300 | FFV119F300 | FFV119F301 | FFV119F301 |
| 3       | MOTOR PLATE                        | FFV119F303 | FFV119F304 | FFV119F305 | FFV119F307 | FFV119F308 |
| 4       | MOTOR                              | FFV322F512 | FFV322F507 | FFV322F508 | FFV322F510 | FFV322F511 |
| 5       | FILTER                             | FFV251F226 | FFV251F227 | FFV251F228 | FFV251F229 | FFV251F230 |
| 6       | HEAT EXCHANGER                     | FFV027F111 | FFV027F110 | FFV027F112 | FFV027F115 | FFV027F115 |
| 7       | ADAPTOR                            | FFV005F093 | FFV005F094 | FFV005F095 | FFV005F096 | FFV005F096 |
| 8       | LID MAINTENANCE                    | FFV218F081 | FFV218F082 | FFV218F082 | FFV218F084 | FFV218F084 |
| 9       | CAPACITOR                          | FFV090F222 | FFV090F223 | FFV090F224 | FFV090F225 | FFV090F225 |
| 10      | TERMINAL 8P (WIRE ASSY)            | FFV099F118 | FFV099F118 | FFV099F118 | FFV099F118 | FFV099F118 |
| 11      | DAMPER ASSY                        | FFV115F213 | FFV115F214 | FFV115F215 | FFV115F217 | FFV115F218 |
| 12      | RELAY                              | FFV341F006 | FFV341F006 | FFV341F006 | FFV341F006 | FFV341F006 |
| 13      | ENERGY RECOVERY VENTILATOR REMOCON | EB90S1560  | EB90S1560  | EB90S1560  | EB90S1560  | EB90S1560  |